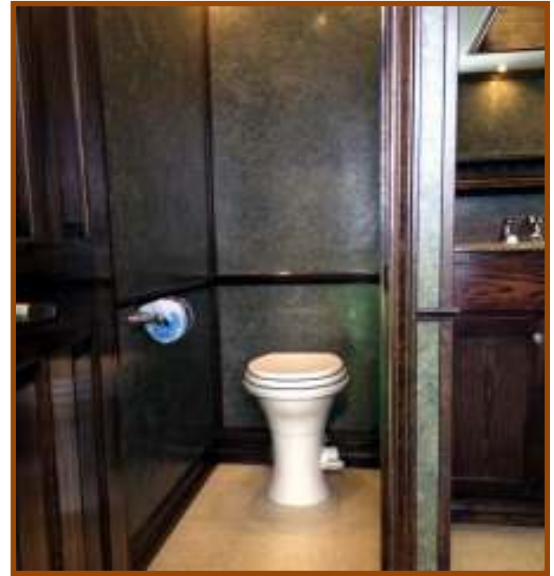




**STONE INDUSTRIES, LLC PROUDLY PRESENTS
OUR STATE-OF-THE-ART SUPER-WIDEBODY
PRESIDENTIAL SERIES COMFORT STATION &
PORTABLE BATHROOM TRAILER**



The Presidential Series is the finest bathroom trailer available. Interior features include flushing porcelain toilets & urinals, oak cabinets, and private "pocket" stalls.

Our Presidential Series Bathroom Trailer is a must for your next VIP event! There is no finer restroom on the market.

It is a perfect addition to any:

- **Wedding**
- **Golf Tournament**
- **Garden Party**
- **Special Event**
- **Corporate Function**

Get the great reviews your event deserves. Rent the Stone 20' Presidential Series Bathroom Trailer & Comfort Station. Don't wait, call us today for pricing & availability.

**4305 ROUTE 50 • SARATOGA SPRINGS
NEW YORK, 12866
TELEPHONE (800) 446-6331
FACSIMILE (518) 584-8850
EMAIL toilets@stoneindustries.com**

Exterior Features

- Widebody, insulated aluminum exteriors
- Steel core entry/exit doors
- Service closet with hot water heater and controls
- Deep landings with folding aluminum handrails
- Courtesy lighting for guest safety
- Extended skirt to hide wheels & frame
- Fully sealed sanitary design

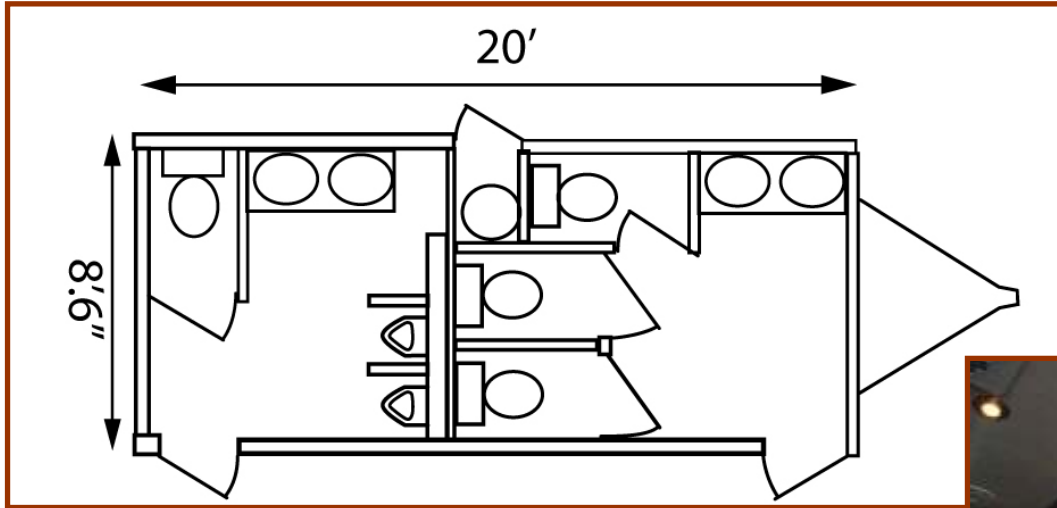
Interior Features

- Insulated floors, walls and roofs
- Heavy duty hardwood-look floors
- Fully enclosed stalls with wood doors and trim
- Flushing Dometic 310 series porcelain toilets
- Porcelain urinals with privacy screens
- Full two zone climate control with air conditioning & heat
- Stereo sound system with CD changer & AM/FM

Presidential Features

- Large double-pane sky lights
- Indirect lighting
- Stained wood valances
- Oak base cabinet
- Ceiling mounted speakers
- Brass paper holders
- Brass hardware on shelf and wood doors
- Polished chrome faucets
- Simulated marble interior wall finish
- Faux marble countertops with integral garbage

STONE INDUSTRIES PRESIDENTIAL SERIES BATHROOM TRAILER SPECIFICATIONS & REQUIREMENTS



SPECIFICATIONS

- **Three Toilet Stalls & Two Sinks on Women's Side**
- **One Toilet Stall, Two Urinals, & Two Sinks on Men's Side**
- **800-gallon internal holding tank**
- **6 gallon hot water tank**
- **Cold weather capable to zero degrees Fahrenheit**
- **Interior space 20' x 8'6"**
- **Exterior footprint 24' x 11' (approximate, includes tongue and extended stairs)**
- **Approximately 2,000 uses between services**



Exterior features smooth aluminum skin with exterior lighting, skylights, sturdy handrails and step systems. Trailer skirt provides smooth finish.

REQUIREMENTS*

- **(4) 20 Amp 120 Volt/60 Hz electrical inputs**
- **(1) Water hookup (Garden hose hookup)**

* **Optional Remote Service Unit with pressurized water tanks and generator powered AC available for completely autonomous service.**



**4305 ROUTE 50 • SARATOGA SPRINGS
NEW YORK, 12866
TELEPHONE (800) 446-6331
FACSIMILE (518) 584-8850
EMAIL toilets@stoneindustries.com**